

## Stainless Steel-Plates

with threaded studs,  
for hinges GN 7241, GN 7243, GN 7247

### SPECIFICATION

Stainless Steel AISI 304 NI  
matte, ground **MT**

Threaded studs  
Stainless Steel AISI 304  
pressed-in

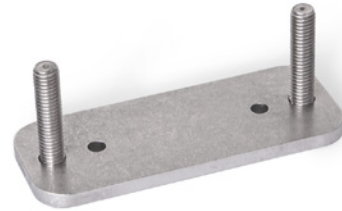
### INFORMATION

Stainless Steel-Plates GN 7247.6 are designed with appropriate dimensions to be used as accessories for the fastening flanges of hinges GN 7241 (see page ), GN 7243 (see page ) and GN 7247 (see page ).

The Stainless Steel-Plates are fastened from the outside via through-holes in the housing wall or alternatively by welding to the inside of the wall. This results in effective protection against vandalism, and the outsides of the housing remain free of attachments that do not match the design or that should be avoided entirely in the interests of easy cleaning.

They make threaded holes, bolts and washers unnecessary during installation. This eliminates the labor-intensive pre-installation of such parts as well as the need to hold them in place during tightening or loosening.

The holes  $d_2$  receive tensioning or positioning pins, if necessary, making it easy to position the plates and the multiple-joint hinges.

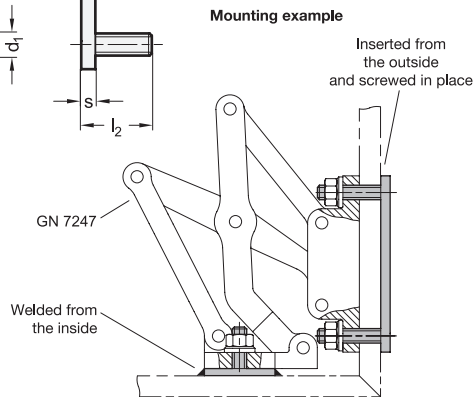
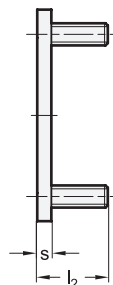
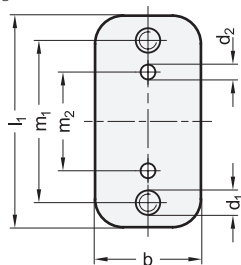


### TECHNICAL INFORMATION

- Stainless Steel characteristics (see page A26)

### ON REQUEST

- other threaded stud lengths
- other plate sizes
- other plate geometries



### GN 7247.6

STAINLESS STEEL

Description	l1	l2	b	d1	d2	m1	m2	s	△
GN 7247.6-NI-60-20-MT	60	20	30	M 6	4	46	28	4	60
GN 7247.6-NI-60-25-MT	60	25	30	M 6	4	46	28	4	63
GN 7247.6-NI-60-30-MT	60	30	30	M 6	4	46	28	4	65
GN 7247.6-NI-75-20-MT	75	20	30	M 6	4	61	40	4	74
GN 7247.6-NI-75-25-MT	75	25	30	M 6	4	61	40	4	77
GN 7247.6-NI-75-30-MT	75	30	30	M 6	4	61	40	4	79